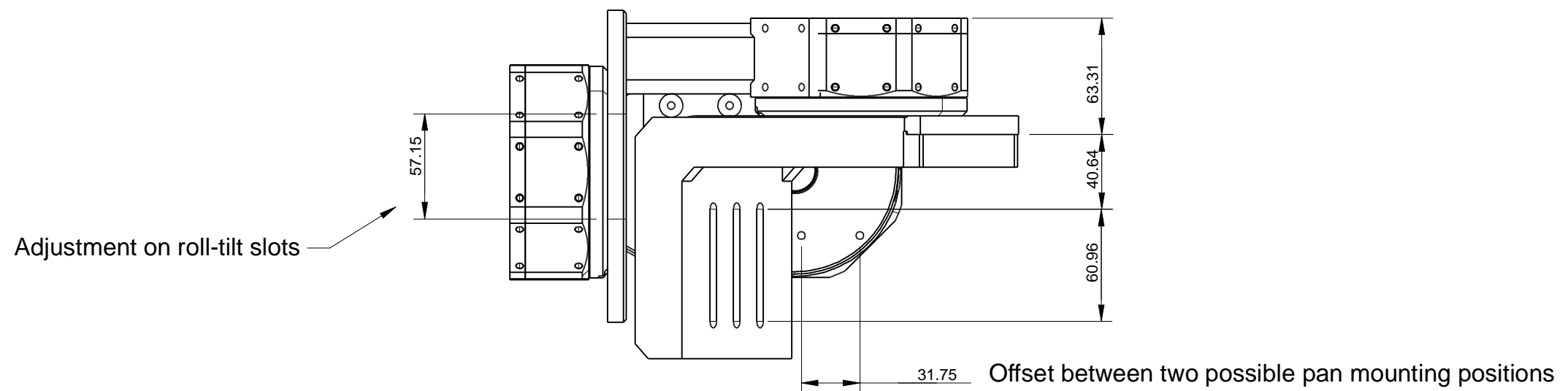


One of two possible positions.
See offset dim below.



HIG-HEAD 3-AXIS CONFIGURATION